

Cultured Marble Vanity Tops Made in the USA

P.O. Box 378, 3125 Riley Road, Sparta, Wisconsin • Phone 888-664-7465 • Fax 608-366-1934 • www.sinksbysfi.com



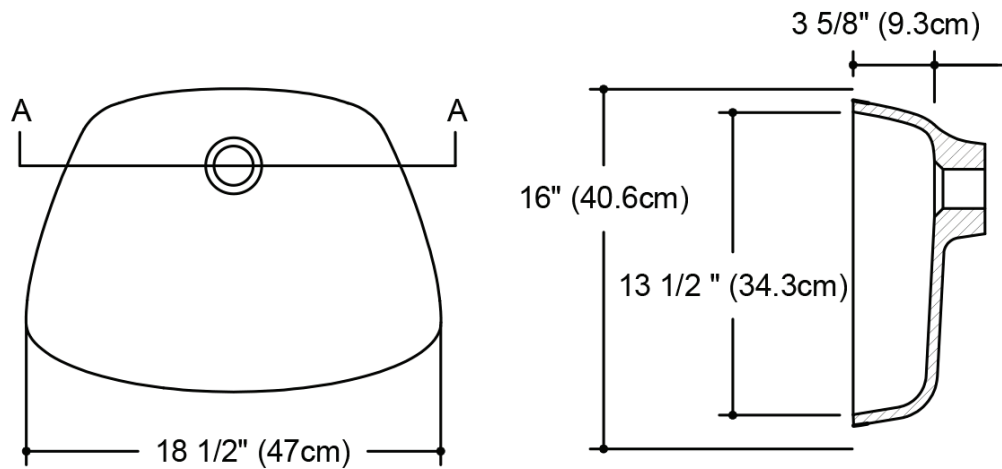
Venetian^{by Sfi}

108 Access Bowl — Architectural Specifications

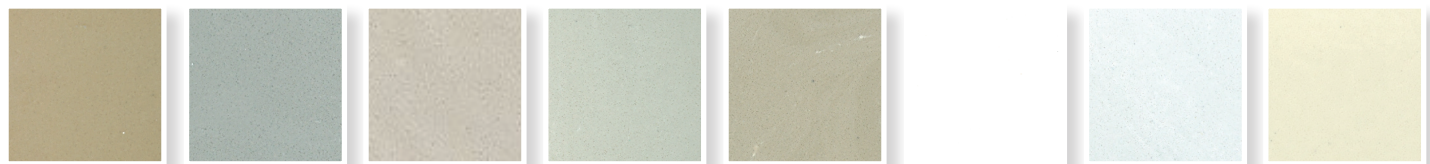


* Standard overflow

Product Measurements:



Color Options:



1007 Coffee 1005 Ice Gray 1003 Lt. Taupe 1009 Linen 1004 Parchment 1101 Snow 1001 White/White 1009B Pure Linen

Other colors are available for an upcharge

Product Description — This bowl can be used in a single-user restroom that has been designed according to the ADAAG. To meet ADA guidelines, sinks should not be mounted higher than 34 inches from the floor, and they should have a knee clearance of 27 inches high, 30 inches wide, and 11–25 inches deep. You also need a clear floor space and insulated pipes under the sink. Faucets should be lever-operated, push, touch, or electronically controlled. They should be usable with one hand without the need to tightly grasp, pinch, or twist the wrist. Users should not have to exert more than 5 pounds of force to use the faucet to meet ADA requirements.

Performance — Venetian is resistant to heat, stains and mildew. Incidental damage such as scratches, marring, small stains, etc. can be repaired. (See Care and Cleaning and Repair and Maintenance instructions.) Venetian meets the ANZI 124.3 standards.

Colors and Finishes — Venetian is available in a full range of colors and is available in a matte or gloss finish. All colors can be viewed on our web site at www.sinksbysfi.com, but hold and look at an actual color sample before making your final color choice.

Limited Warranty — Venetian is covered by a one year limited warranty. Refer to the separate Venetian Limited Warranty sheet for complete details.

PART 1 – GENERAL

1.01

- A. Cultured Marble Lavatory Tops with sinks from manufacturer's standard sizes
- B. Sink Cast Polymer

1.03 REFERENCES

- A. Performance Requirements: Provide lavatory tops with sinks that conform to the following requirements of regulatory agencies and the equality control of SFI, inc.
 - 1. Provide Lavatory tops and sinks that conform to ANSI Z1243-2005 when tested in the following areas:
 - Color fastness – No change, 200 hours
 - Wear and Cleaning – Passes
 - Impact resistance – Passes
 - Stain Resistance – Passes
 - Chemical Resistance – Passes
 - Drain Fitting Connection – Passes
 - Loads on Lavatory Tops – Passes
 - Thermal Shock Resistance – Passes
 - Cigarette Burn Test – Passes

1.05 SUBMITTALS

- A. Product Data: Manufacturer's printed product data for each type of Lavatory top and sink specified.
- B. Samples: Verification samples minimum of 6" x 6" sample indicating color and pattern
- C. Manufacturer's Installation Instruction: Printed installation instructions for lavatory top with sink.

1.06 DELIVERY, STORAGE AND HANDLING

- A. Deliver materials in unopened factory packaging to the job site
- B. Inspect materials at delivery to assure that specified products have been received.
- C. Store in original packaging in an interior climate controlled location.

1.07 PROJECT CONDITIONS

- A. Environmental Requirements: Products must be installed in an interior climate controlled environment.

1.08 WARRANTY

- A. Standard SFI, inc. Venetian line limited one year warranty against material and craftsmanship defects.
- B. Standard SFI, inc. Roma line limited five year warranty against material and craftsmanship defects.

PART 2 – PRODUCTS

2.01 MANUFACTURER

- A. Acceptable Manufacturer:
SFI, Inc., 3125 Riley Road Sparta, Wisconsin 54656 USA;
Phone 608-269-2706, SFI, inc.
- B. Substitutions: Not permitted
- C. Provide all lavatory tops with sinks from a single source.

2.02 MANUFACTURED UNITS

- A. Lavatory Top with Sinks
 - 1. SFI, inc. Culture Marble Lavatory Top
 - a. Size
 - (1) 19" x 17"
 - (2) 25" x 19"
 - (3) 31" x 19"
 - (4) 37" x 19"
 - (5) 25" x 22"
 - (6) 31" x 22"
 - (7) 37" x 22"
 - (8) 43" x 22"
 - (9) 47" x 22"
 - (10) 55" x 22"
 - (11) 61" x 22" — Single bowl
 - (12) 73" x 22" — Single bowl
 - (13) 61" x 22" — Double bowl
 - (14) 73" x 22" — Double bowl
 - b. Specify $\frac{3}{4}$ "
 - 2. SFI, inc. Cultured Marble Integral bowls
 - (1) 103 Newport
 - (2) 104 Catalina
 - (3) 105 Elegance
 - (4) 106 Elegance
 - (5) 107 Futura
 - (6) 108 ADA — no overflow
 - (7) 109 Canadian
 - (8) 110 Wave — no overflow
 - (9) 111 Wave
 - 3. Color: shall be selected from SFI, inc. full range of standard colors.

2.03 MATERIALS

SFI, inc. Cultured Marble: Lavatory tops and sinks shall be gel-coated and manufactured from polyester resins with natural filler material. Tops will have no less than 21% polyester resin. Gel-coat will be within the range of 18 – 23 1/1000" inch.

2.04 FINISHES

- A. Color and pattern of SFI, inc. Cultured Marble finish selection. Surface shall have a gloss or matte finish.

DISTRIBUTOR INFORMATION