

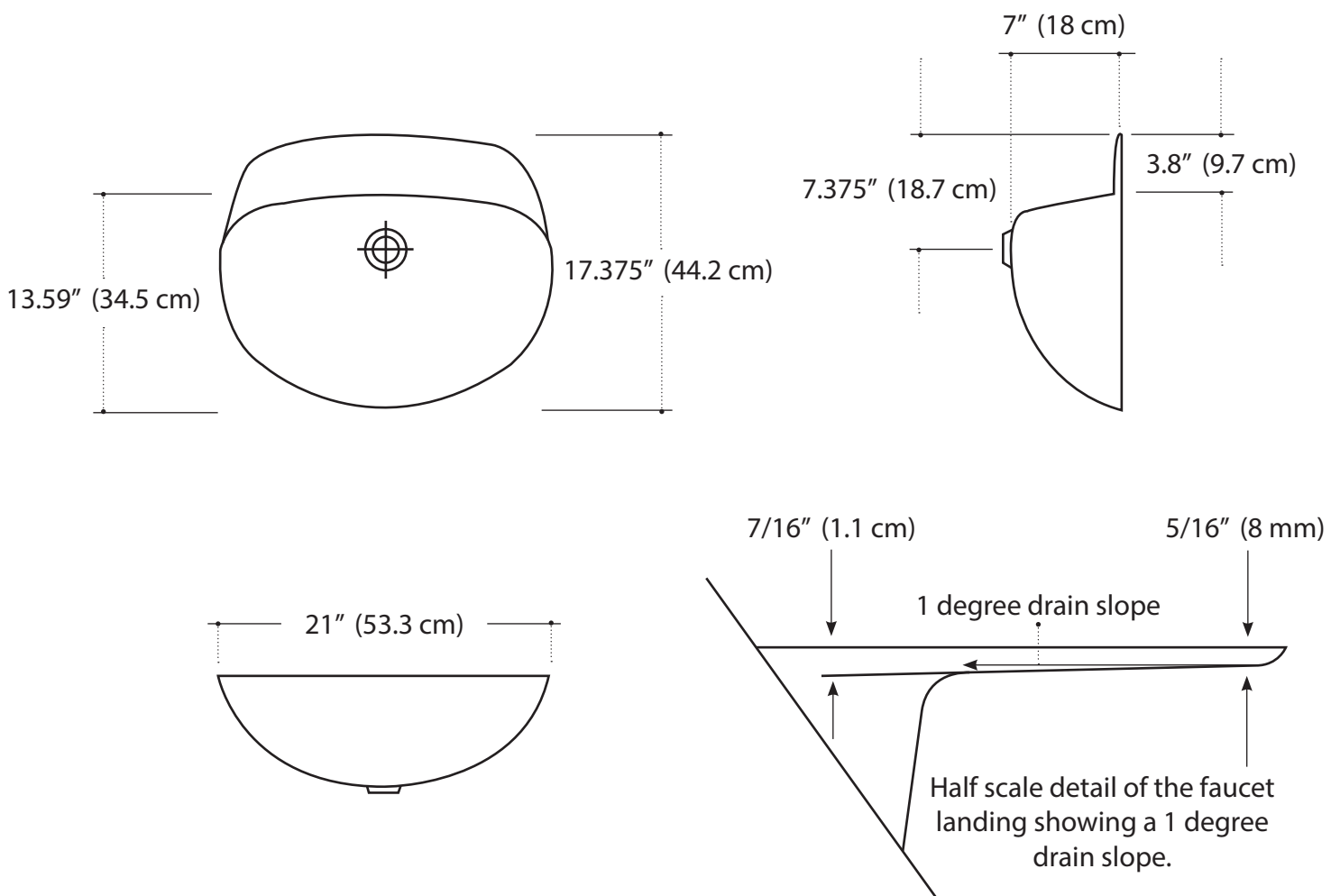
# Cultured Marble Vanity Tops Made in the USA

P.O. Box 378, 3125 Riley Road, Sparta, Wisconsin • Phone 888-664-7465 • Fax 608-366-1934 • [www.sinksbysfi.com](http://www.sinksbysfi.com)



## 101 - Malibu

- With overflow (at 8:00)
- Minimum top depth: 22"
- Minimum offset: 14"
- Can only be used on 1-1/8" decks



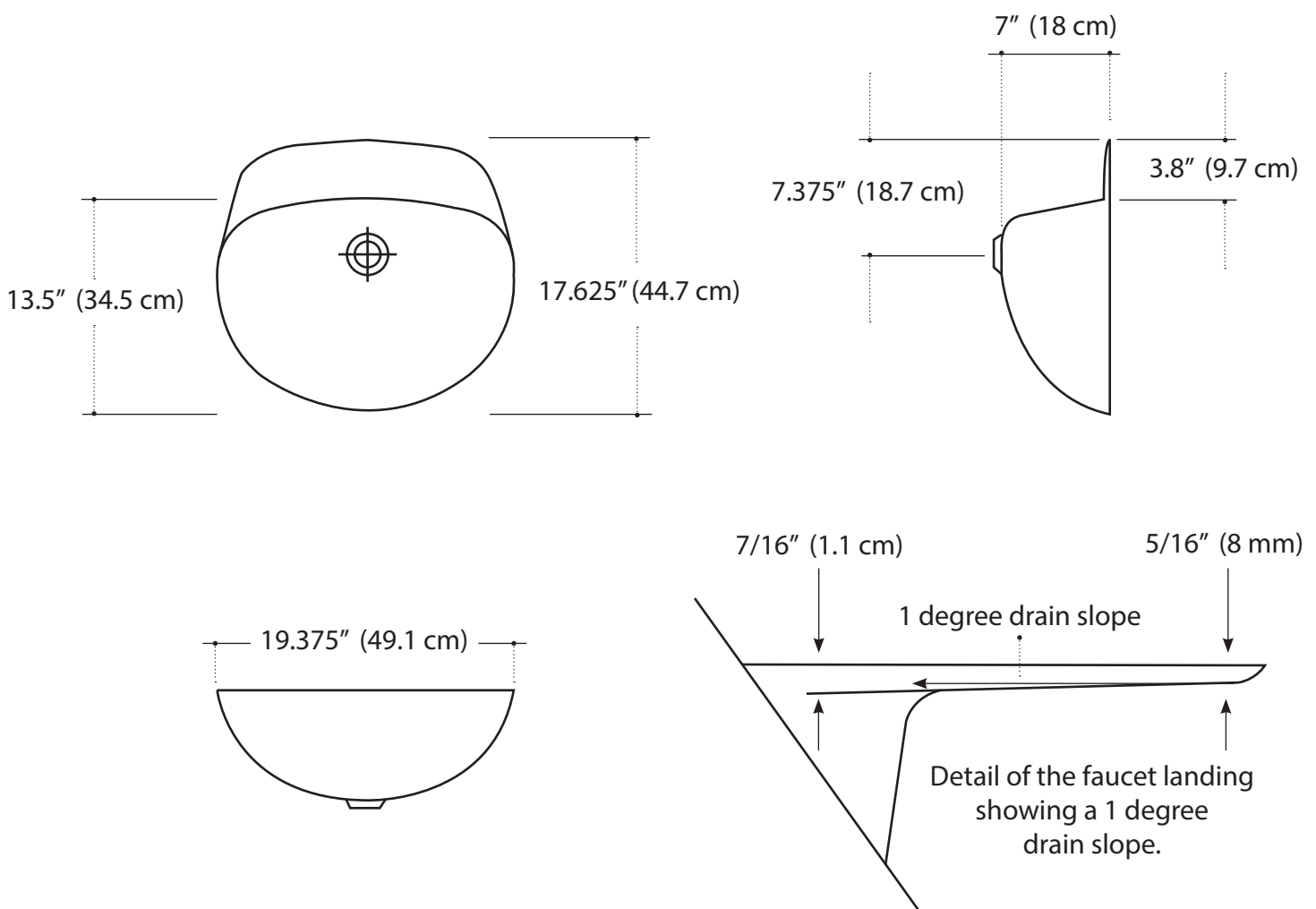
# Cultured Marble Vanity Tops Made in the USA

P.O. Box 378, 3125 Riley Road, Sparta, Wisconsin • Phone 888-664-7465 • Fax 608-366-1934 • [www.sinksbysfi.com](http://www.sinksbysfi.com)



## 102 - Malibu

- With overflow (at 8:00)
- Minimum top depth: 22"
- Minimum offset: 12-3/4"
- Can only be used on 1-1/8" decks



# Cultured Marble Vanity Tops

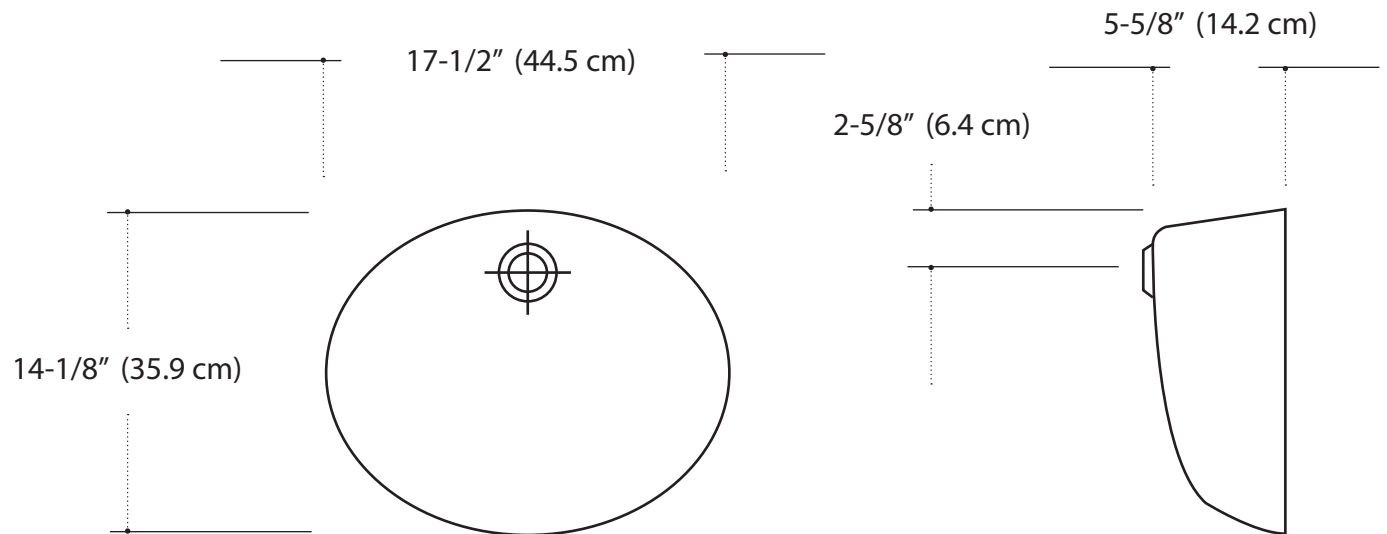
## Made in the USA

P.O. Box 378, 3125 Riley Road, Sparta, Wisconsin • Phone 888-664-7465 • Fax 608-366-1934 • [www.sinksbysfi.com](http://www.sinksbysfi.com)



## 103 - Newport

- With overflow (at 6:00)
- Minimum top depth: 22"
- Minimum offset: 11"



# Cultured Marble Vanity Tops

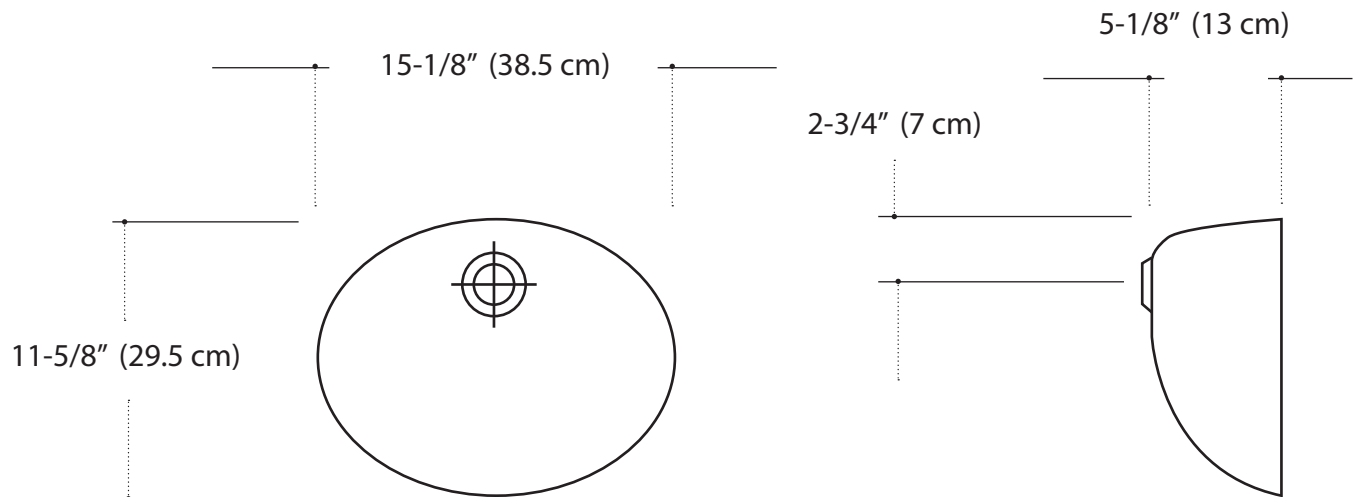
## Made in the USA

P.O. Box 378, 3125 Riley Road, Sparta, Wisconsin • Phone 888-664-7465 • Fax 608-366-1934 • [www.sinksbysfi.com](http://www.sinksbysfi.com)



## 104 - Catalina

- With overflow (at 6:00)
- Minimum top depth: 19"
- Minimum offset: 10-1/2"



# Cultured Marble Vanity Tops

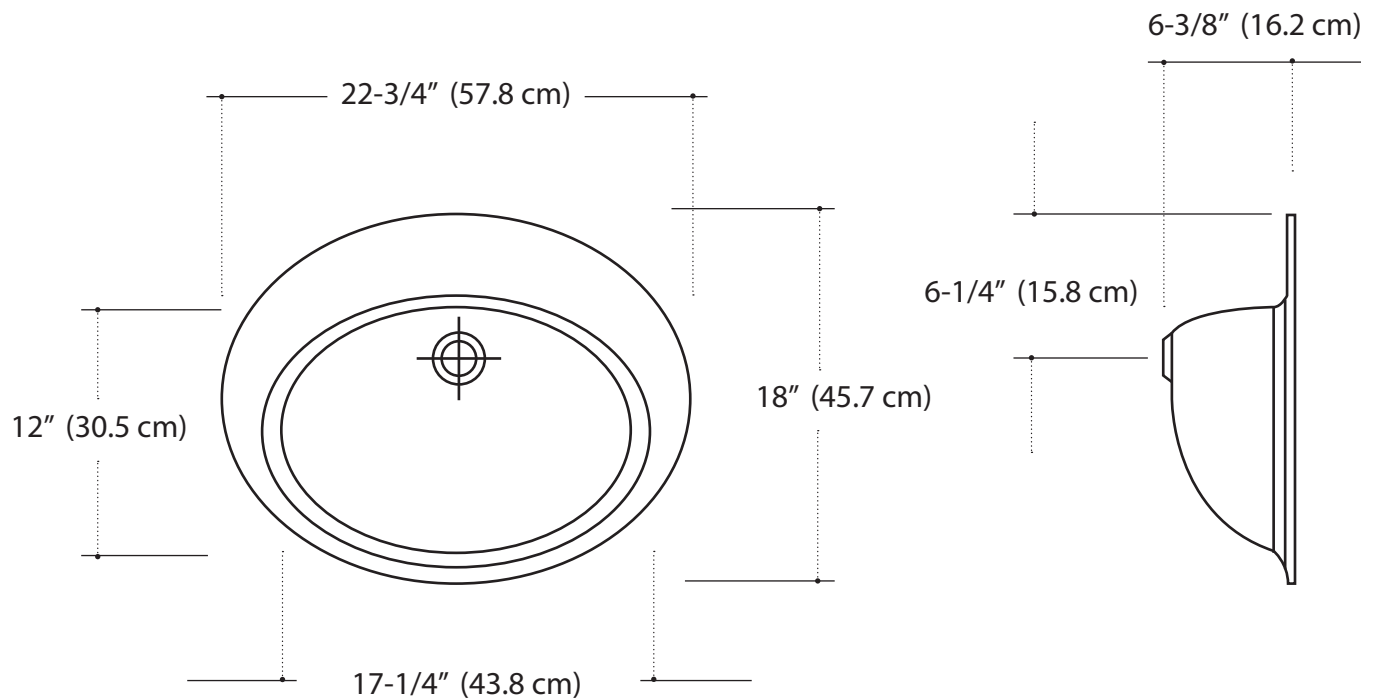
## Made in the USA

P.O. Box 378, 3125 Riley Road, Sparta, Wisconsin • Phone 888-664-7465 • Fax 608-366-1934 • [www.sinksbysfi.com](http://www.sinksbysfi.com)



## 105 - Elegance

- With overflow (at 6:00)
- Minimum top depth: 22"
- Minimum offset: 13"



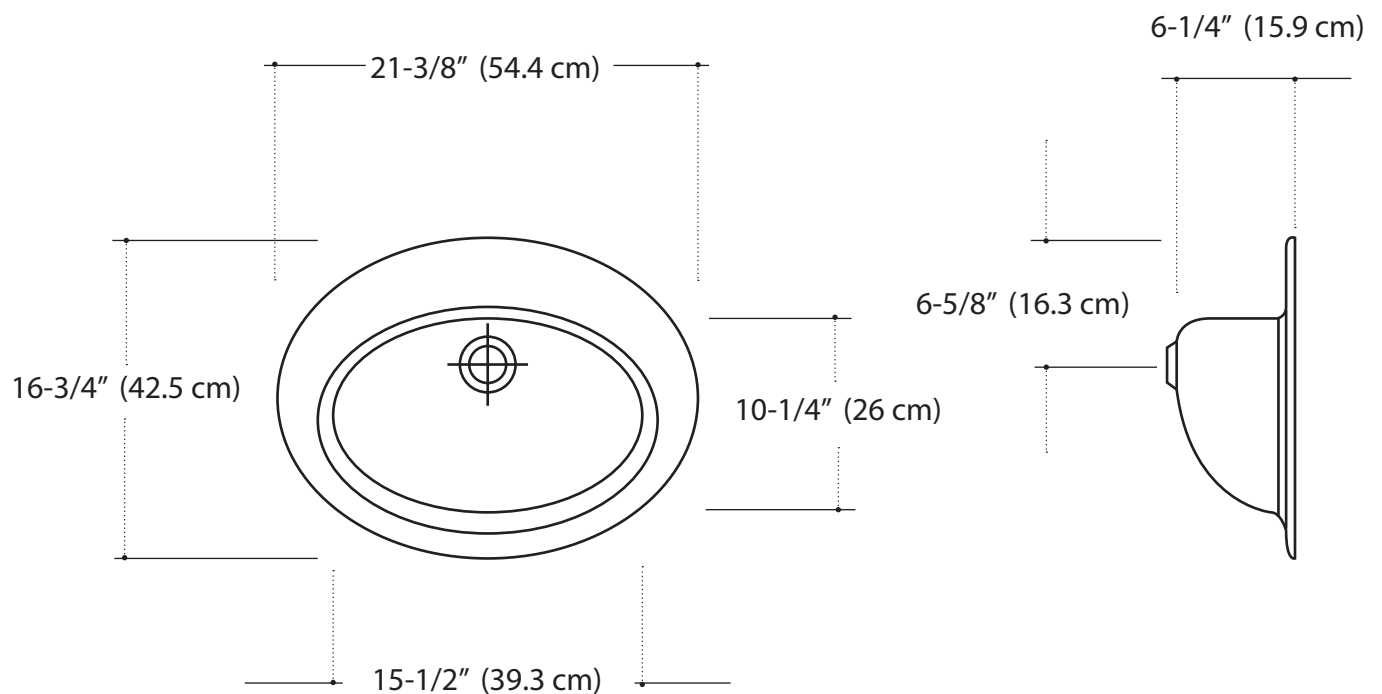
# Cultured Marble Vanity Tops Made in the USA

P.O. Box 378, 3125 Riley Road, Sparta, Wisconsin • Phone 888-664-7465 • Fax 608-366-1934 • [www.sinksbysfi.com](http://www.sinksbysfi.com)



## 106 - Elegance

- With overflow (at 6:00)
- Minimum top depth: 19"
- Minimum offset: 11-3/4"



# Cultured Marble Vanity Tops

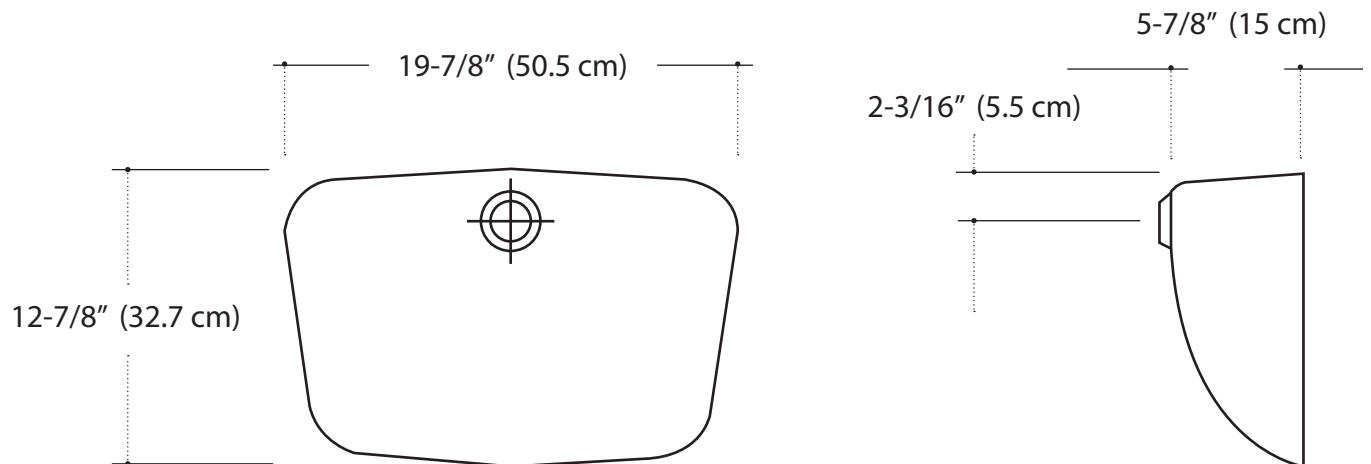
## Made in the USA

P.O. Box 378, 3125 Riley Road, Sparta, Wisconsin • Phone 888-664-7465 • Fax 608-366-1934 • [www.sinksbysfi.com](http://www.sinksbysfi.com)



## 107 - Futura

- With overflow (at 6:00)
- Minimum top depth: 22"
- Minimum offset: 12-1/2"



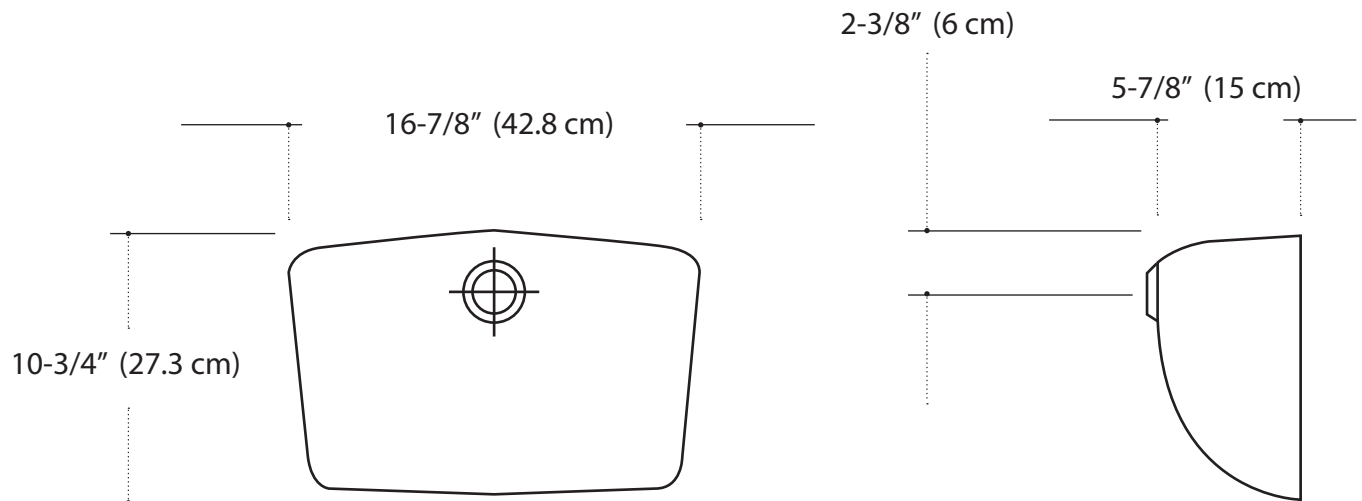
# Cultured Marble Vanity Tops Made in the USA

P.O. Box 378, 3125 Riley Road, Sparta, Wisconsin • Phone 888-664-7465 • Fax 608-366-1934 • [www.sinksbysfi.com](http://www.sinksbysfi.com)



## 107M - Futura

- With overflow (at 6:00)
- Minimum top depth: 19"
- Minimum offset: 12"





# Cultured Marble Vanity Tops

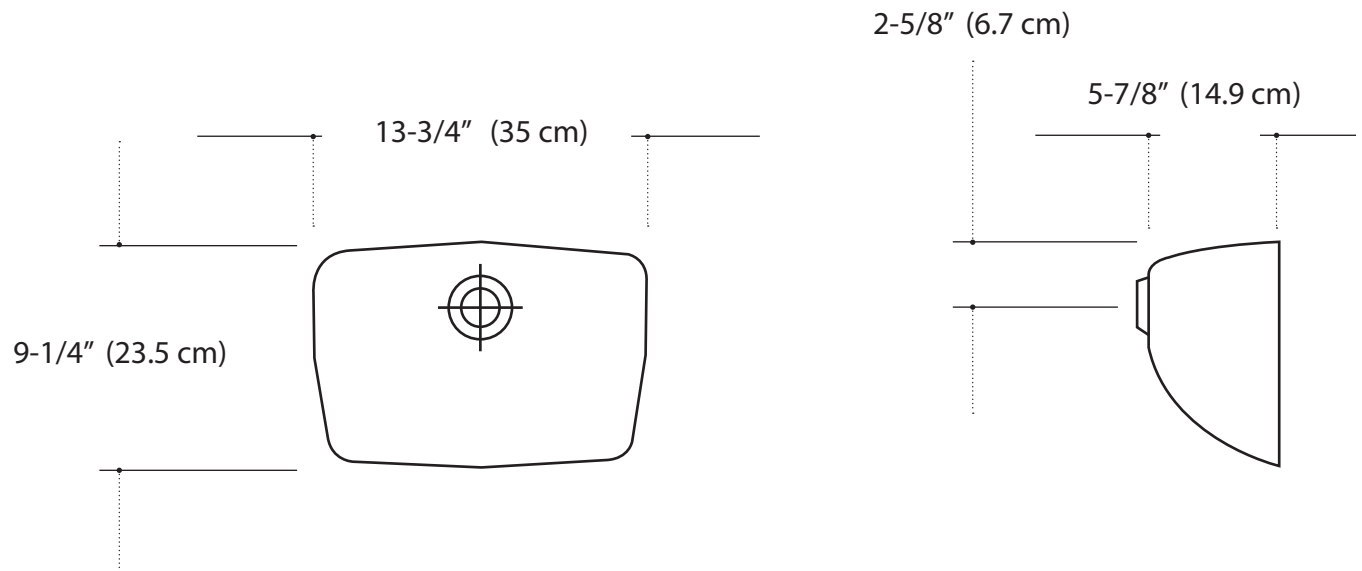
## Made in the USA

P.O. Box 378, 3125 Riley Road, Sparta, Wisconsin • Phone 888-664-7465 • Fax 608-366-1934 • [www.sinksbysfi.com](http://www.sinksbysfi.com)



## 107S - Futura

- With overflow (at 6:00)
- Minimum top depth: 17"
- Minimum offset: 10-1/2"



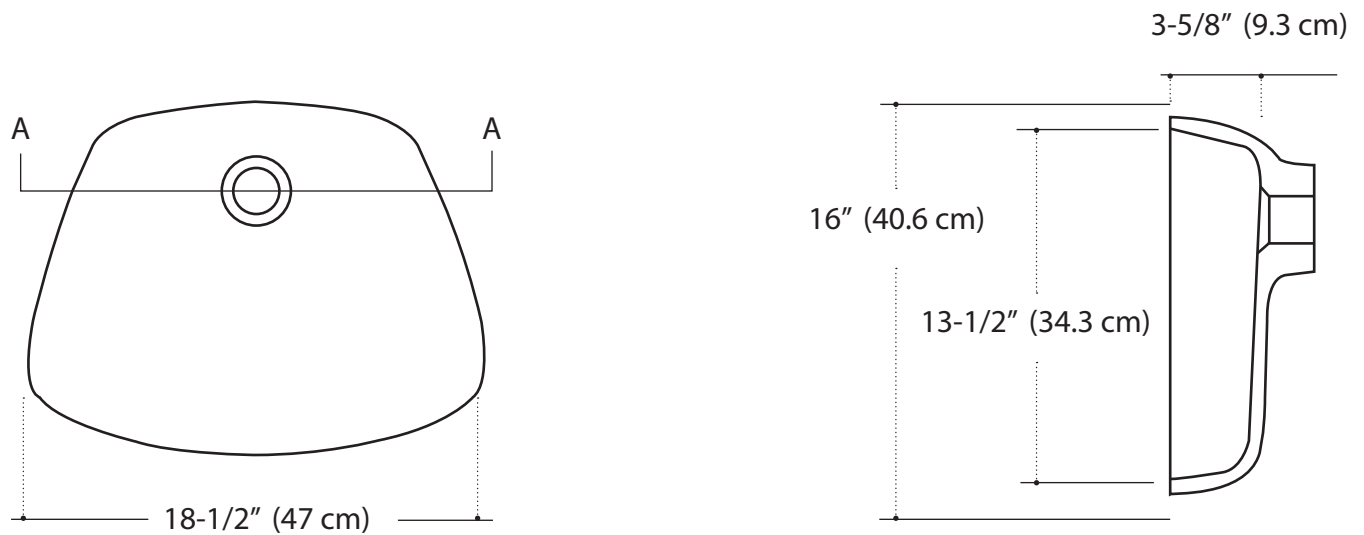
# Cultured Marble Vanity Tops Made in the USA

P.O. Box 378, 3125 Riley Road, Sparta, Wisconsin • Phone 888-664-7465 • Fax 608-366-1934 • [www.sinksbysfi.com](http://www.sinksbysfi.com)



## 108 - Access

- No Overflow
  - Minimum top depth: 22"
  - Minimum offset: 12-1/4"
- \*Can be used in ADA compliant tops.*



Section A-A

# Cultured Marble Vanity Tops

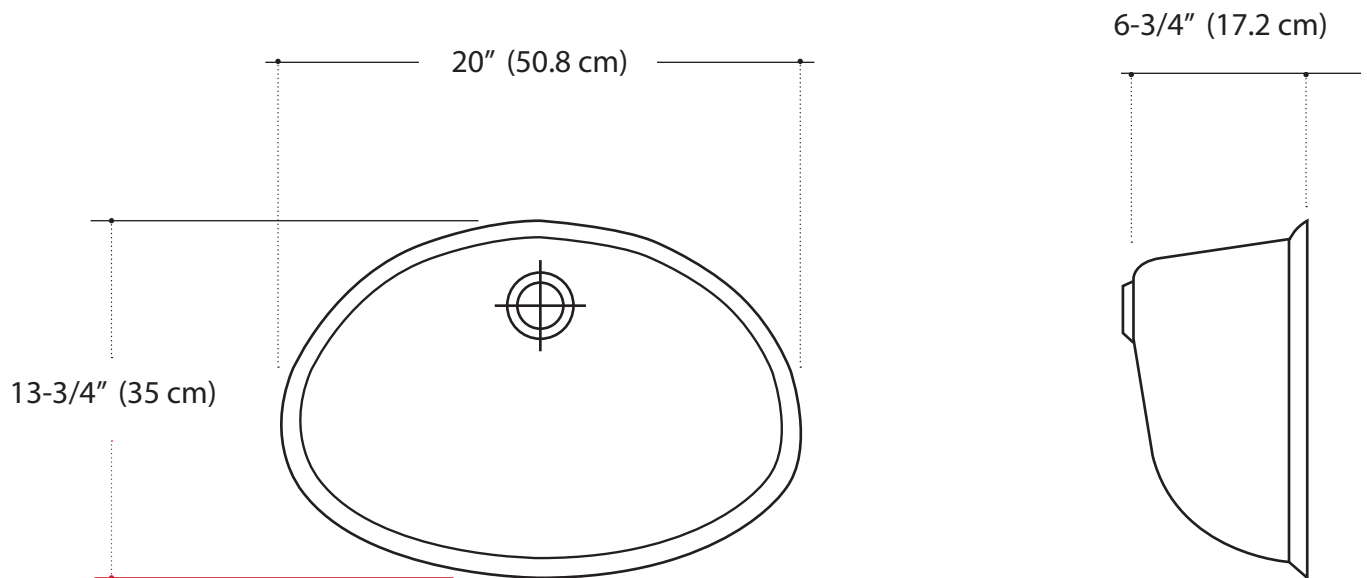
## Made in the USA

P.O. Box 378, 3125 Riley Road, Sparta, Wisconsin • Phone 888-664-7465 • Fax 608-366-1934 • [www.sinksbysfi.com](http://www.sinksbysfi.com)



## 109 - Canadian

- With overflow (at 6:00)
- Minimum top depth: 22"
- Minimum offset: 12-1/2"



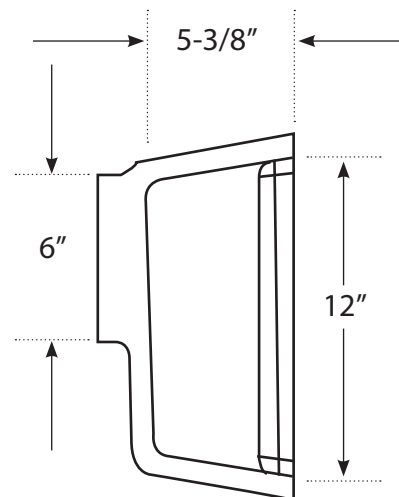
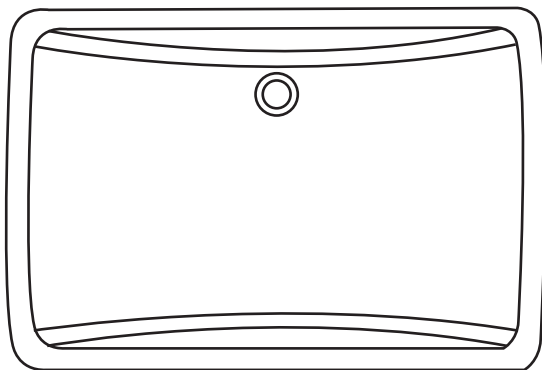
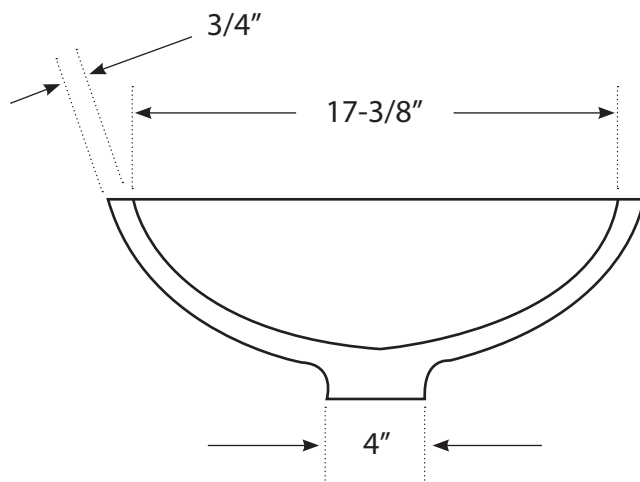
# Cultured Marble Vanity Tops Made in the USA

P.O. Box 378, 3125 Riley Road, Sparta, Wisconsin • Phone 888-664-7465 • Fax 608-366-1934 • [www.sinksbysfi.com](http://www.sinksbysfi.com)



## 110 - Wave

- No overflow
- Minimum top depth: 22"
- Minimum offset: 11"



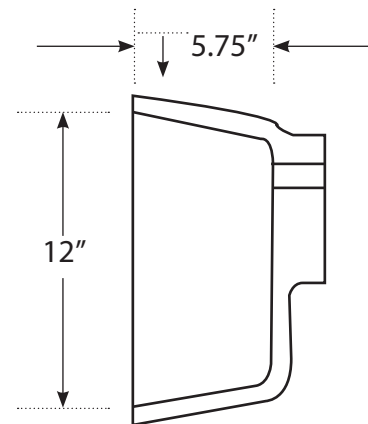
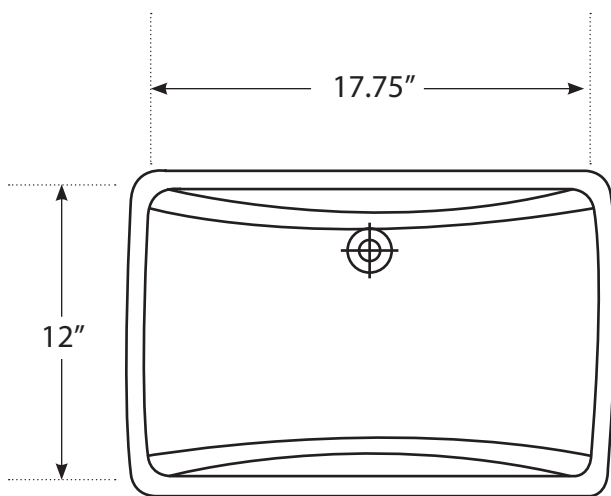
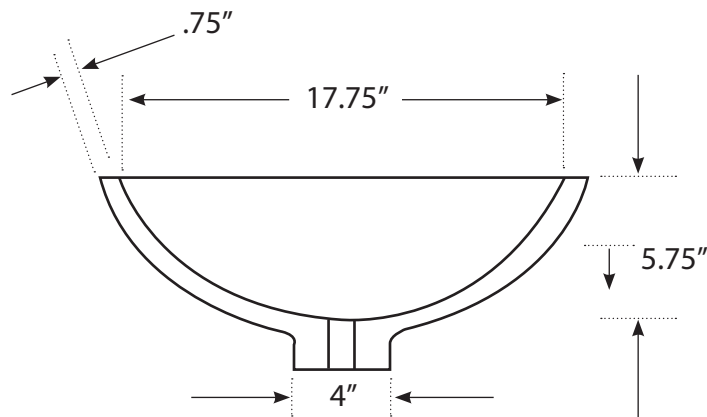
# Cultured Marble Vanity Tops Made in the USA

P.O. Box 378, 3125 Riley Road, Sparta, Wisconsin • Phone 888-664-7465 • Fax 608-366-1934 • [www.sinksbysfi.com](http://www.sinksbysfi.com)



## 111 - Wave

- With overflow (at 6:00)
- Minimum top depth: 22"
- Minimum offset: 11"



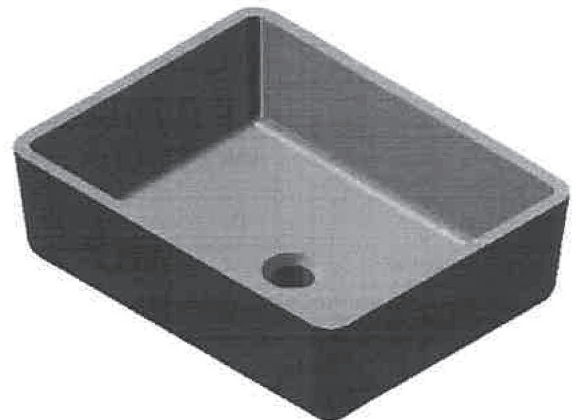
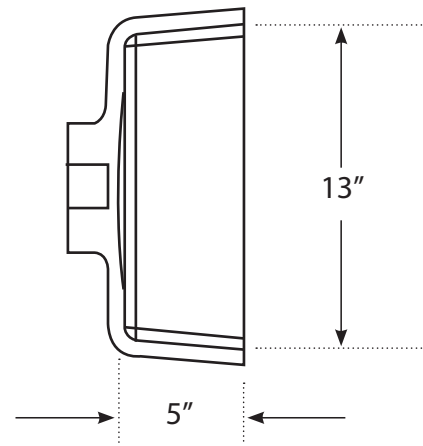
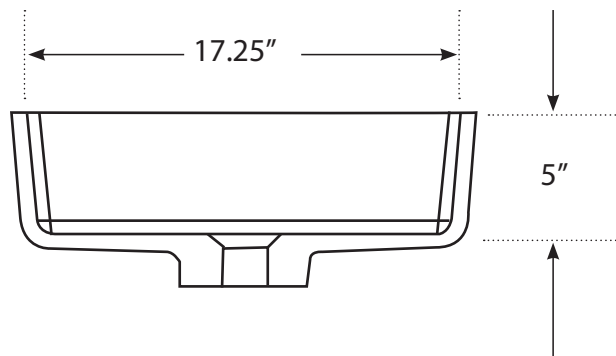
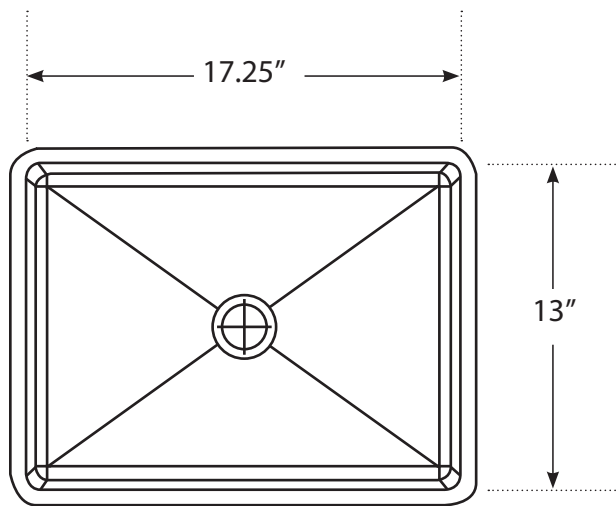
# Cultured Marble Vanity Tops Made in the USA

P.O. Box 378, 3125 Riley Road, Sparta, Wisconsin • Phone 888-664-7465 • Fax 608-366-1934 • [www.sinksbysfi.com](http://www.sinksbysfi.com)



## 113 - Celebrity

- No overflow
- Minimum top depth: 22"
- Minimum offset: 13"
- Because of the flat shape of the bowl bottom, the sink does not drain very thoroughly and usually leaves some water residue after use.



# Cultured Marble Vanity Tops

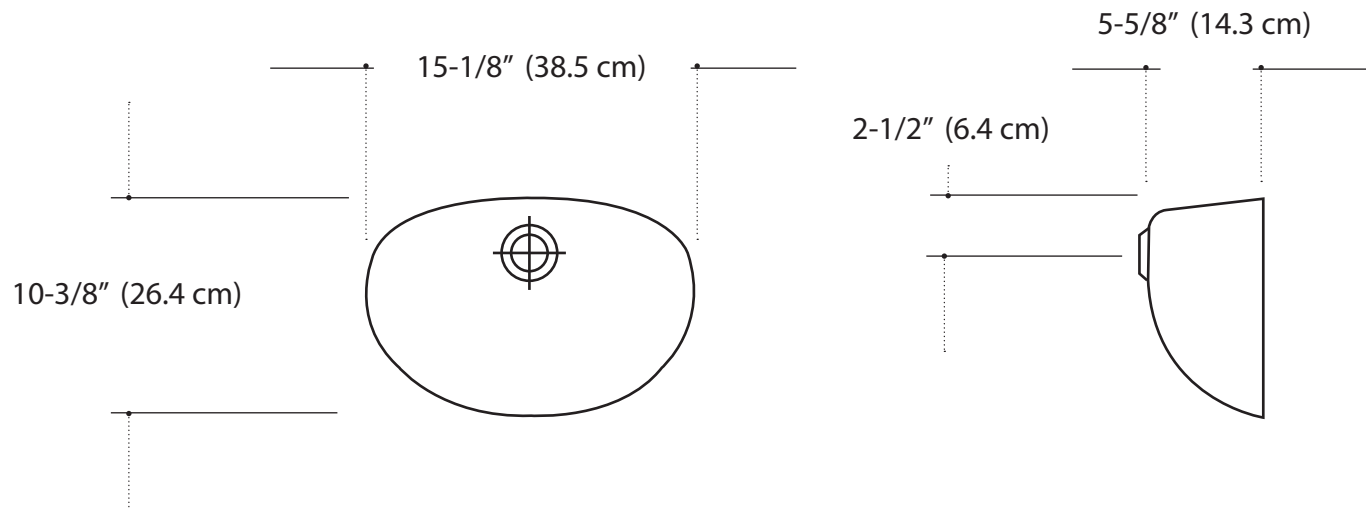
## Made in the USA

P.O. Box 378, 3125 Riley Road, Sparta, Wisconsin • Phone 888-664-7465 • Fax 608-366-1934 • [www.sinksbysfi.com](http://www.sinksbysfi.com)



## 114 - Redondo

- With overflow (at 6:00)
- Minimum top depth: 17"
- Minimum offset: 10-1/2"



# Cultured Marble Vanity Tops

## Made in the USA

P.O. Box 378, 3125 Riley Road, Sparta, Wisconsin • Phone 888-664-7465 • Fax 608-366-1934 • [www.sinksbysfi.com](http://www.sinksbysfi.com)



## 115 - Bar

- No overflow
- Minimum top depth: 17"
- Minimum offset: 8"

